

Pulse Interface – Setting up Enable/Inhibit

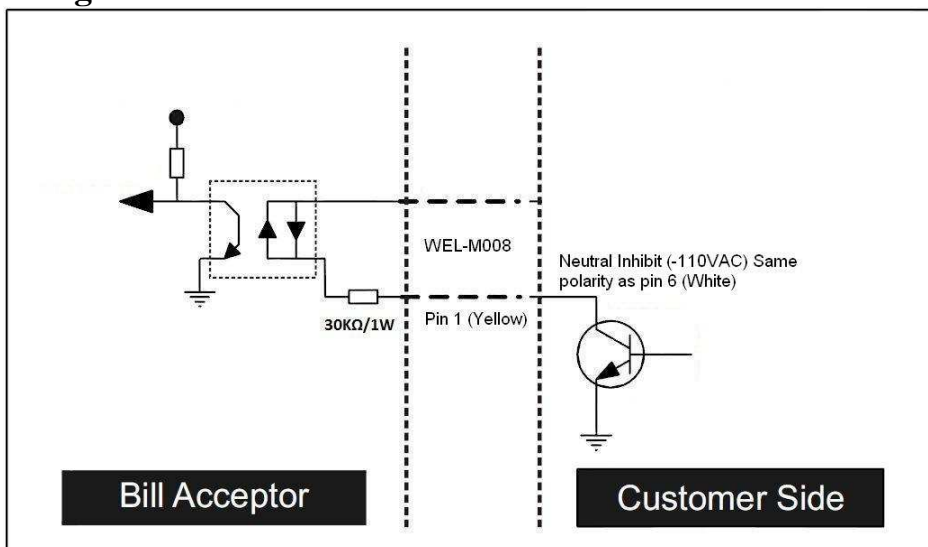
Table of Contents

Using 110V Power Harness WEL-M008/WEL-M012	Page 2 – 4
Using 12V Power Harness WEL-M007/CU-961-1	Page 5
Using 5V Enable Harness	Page 6

Using 110V Power Harness (WEL-M008/WEL-M012)

All the examples below are using our 110V (WEL-M008/WEL-M012) power harness. This harness is designed to work with our pulse interface Bill Acceptors. The information below is examples on how to wire up the Bill Acceptor's Enable/Inhibit lines.

Using the Inhibit line:



Note: When you use the inhibit line to control the enable/ disable of the BA; the hot enable and neutral enable lines must also be connected or the BA will not enable. The Enable lines can be connected to either 12V DC or 110V AC.

Hot Enable (Brown) – Pin 3 = +110VAC or +12V DC

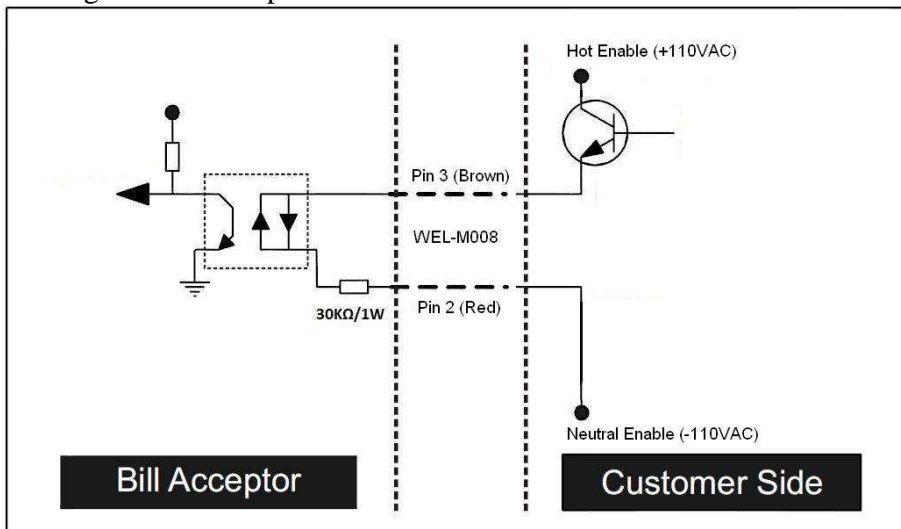
Neutral Enable (Red) – Pin 2 = -110V AC or -12V DC

Using the Enable line:

Regardless of which type of enable control you use; your neutral inhibit line is always going to be set to -110V AC.

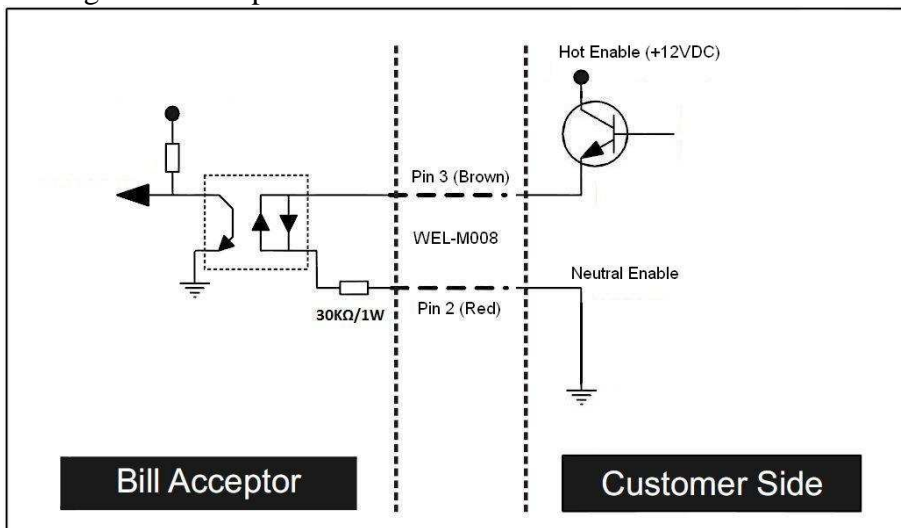
Hot Enable Control:

If using 110V AC to power the enable circuit



Neutral Inhibit (Yellow) – Pin 1 = -110V AC

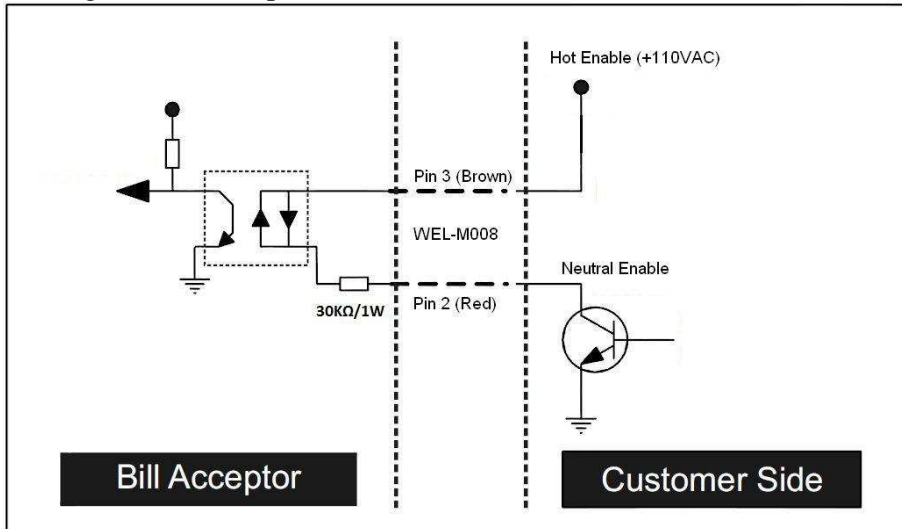
If using 12V DC to power the enable circuit



Neutral Inhibit (Yellow) – Pin 1 = -110V AC

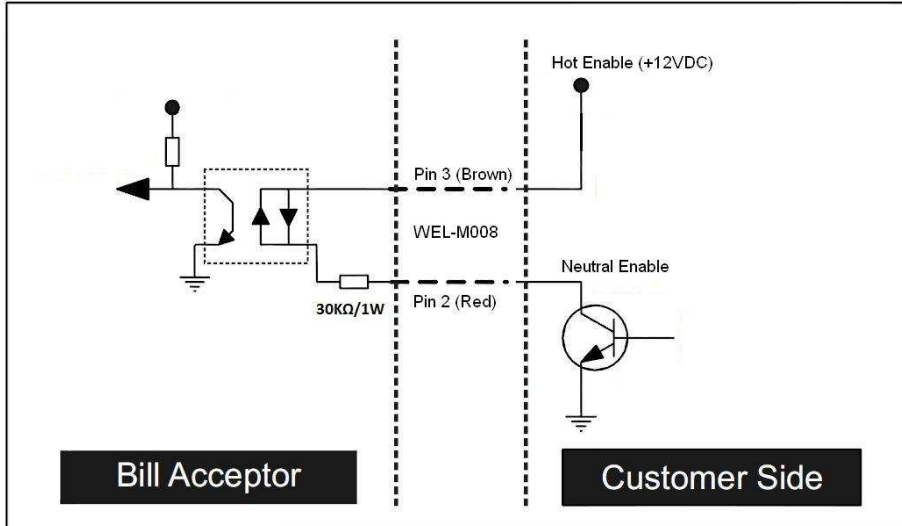
Neutral Enable Control:

If using 110V AC to power the enable circuit



Neutral Inhibit (Yellow) – Pin 1 = -110V AC

If using 12V DC to power the enable circuit

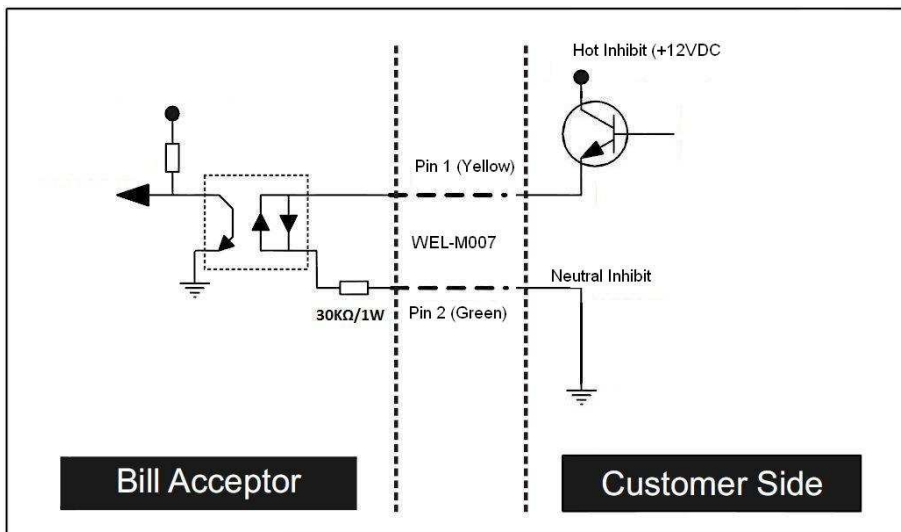


Neutral Inhibit (Yellow) – Pin 1 = -110V AC

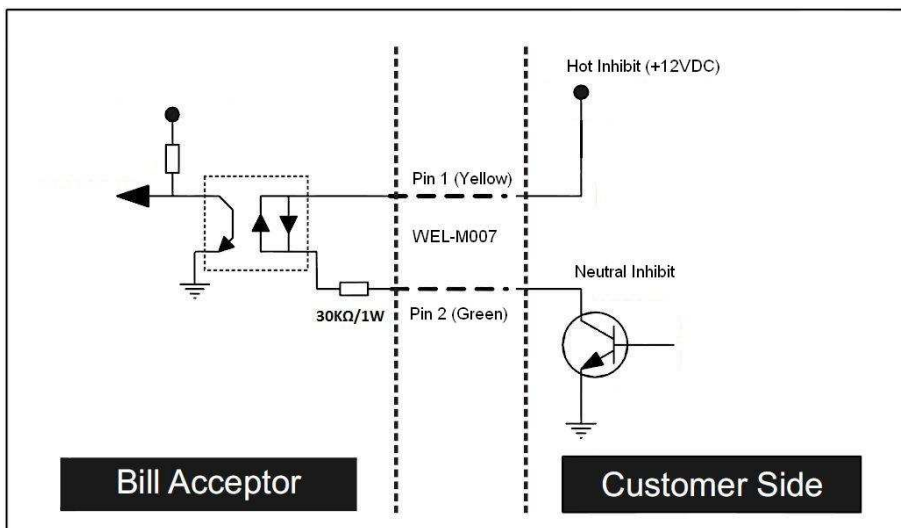
Using 12V Power Harness (WEL-M007/CU-961-1)

All the examples below are using our 12V DC (WEL-M007/CU-961-1) harness. This harness is designed to work with our pulse interface Bill Acceptors. The information below will show you how to wire your Bill Acceptor using the Inhibit line.

Hot Inhibit Control:



Neutral Inhibit Control:



Using 5V Enable Harness (WEL-M017/WEL-M018)

To use the 5V Enable, you need to have a certain firmware installed on the unit and/or have the dipswitches set to 5V Enable (Depending on the model of your BA).

5V Enable:

