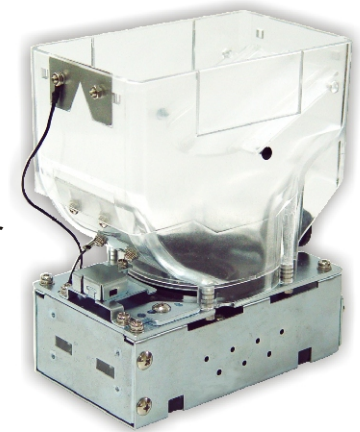




Super
Mini Hopper
Installation Guide



Use of Materials Limitations

International Currency Technologies Corporation (ICT) all rights reserved.

All materials contained are the copyrighted property of ICT.

All trademarks, service marks, and trade names are proprietary to ICT.

ICT reserves the right at all times to disclose or to modify any information as ICT deems necessary to satisfy any applicable law, regulation, legal process or governmental request, or to edit, refuse to post or to remove any information or materials, in whole or in part, in ICT's sole discretion.

Contents

1. Introduction.....	1
1-1. Overview.....	1
1-2. Features	1
2. Specifications	2
Common.....	2
Electrical.....	2
Mechanical.....	2
3. Packing List.....	2
4. Model Number Configuration.....	3
5. Dimension	4
5-1. Adjustment Coin Dimensions	5
6. Installation	6
6-1. Connection.....	6
6-2. Heightening Coin Box Installation	7
6-3. I/O Circuit	8
6-4. Credit Output Setting	10
7. Maintenance	11

1. Introduction

1-1. Overview

Super Mini Hopper is a single denomination coin dispensing unit. Users can adjust coin dimension with different coin adjustment points. The design of Super Mini Hopper is easy operated, trouble-free and high reliable.

1-2. Features

- Double sensors, double protection.
- Easy maintenance.
- Easy installation.
- Coin size adjustable.
- Advanced coin low level detection.
- Compact design with enormous capacity.

2. General Specifications

Common

Dispensing Speed

12V....5~ 7 coin/second
24V....8~10 coin/second

Interface

Hopper Mode

Electrical

Power Source

SMH-125XX...12V DC $\pm 5\%$
SMH-245XX...24V DC $\pm 5\%$

Operation Environment

Storage Temperature : $-30^{\circ}\text{C}\sim+70^{\circ}\text{C}$
Operating Temperature : $+5^{\circ}\text{C}\sim+40^{\circ}\text{C}$

Mechanical

Outline dimension

Coin Box- P.4
Heighten Coin Box- P.4

Applicable Coin Size

A Type-
(Diameter) 20 mm~ 25 mm
(Thickness) 1.6 mm~ 2.4 mm

B Type-
(Diameter) 26 mm ~ 30 mm
(Thickness) 1.5 mm~ 2.0 mm

Counting Method

Obstruct Sensor

Installation

Indoor

Power Consumption

Standby : 5mA
Max : 4A

Coin Capacity (coins)

Coin Box- Approx.550
Heighten Coin Box- Approx.500

Low Level Coins

Coin Box- Approx.50 coins

Weight

Approx.1.04kg

3. Packing List

Main

Super Mini Hopper

Accessory

Harness: WEL-RHP21
Super Mini Hopper Installation Guide

4. Model Number

SMH- XX X X X X X
 ↑ ↑ ↑ ↑ ↑ ↑ ↑
 A B C D E F G

A. Model Type:

SMH	Super Mini Hopper
-----	-------------------

B. Voltage:

12	12V DC
24	24V DC

C. Control Board:

1	Non Control Board
2	Control Board

D. Coin Box:

3	Coin Box(A2905B-R)
---	--------------------

E. Interface:

H	Hopper Mode
---	-------------

F. Applicable Coin Size:

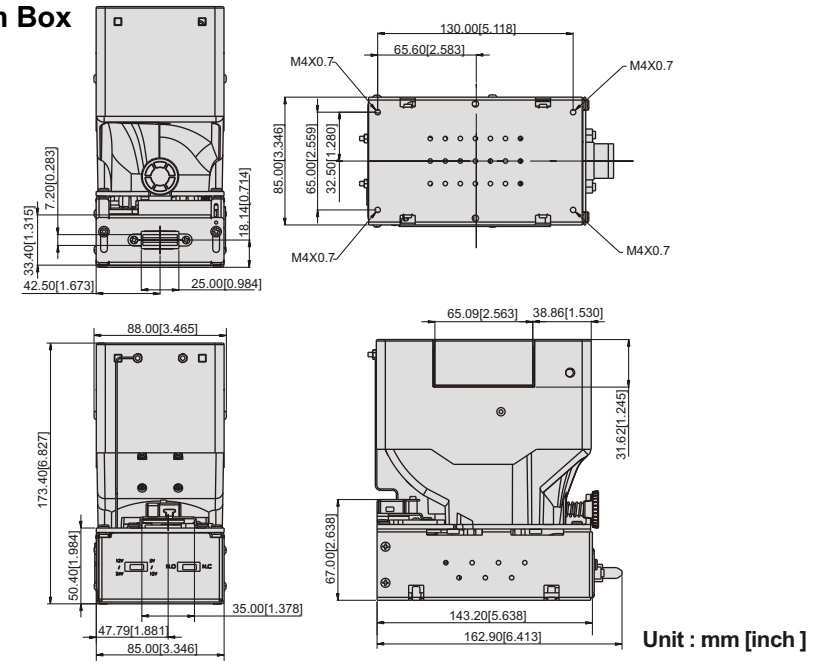
A	A Type
B	B Type

G. Signal Wire Specification:

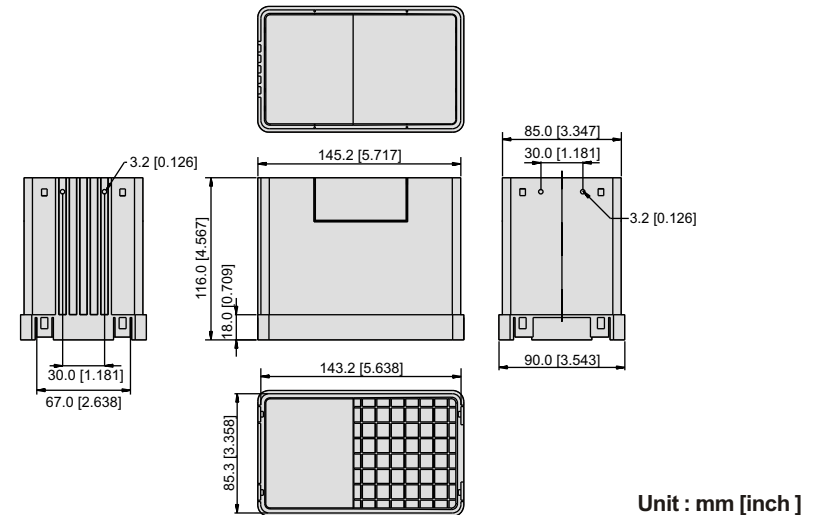
1	Hi Level Signal Wire Length 30cm
A	Non Hi Level Signal Wire
B	Non Hi Level Signal Wire & Low Level Signal Wire

5. Dimension

◆ Coin Box



◆ Heighten Coin Box



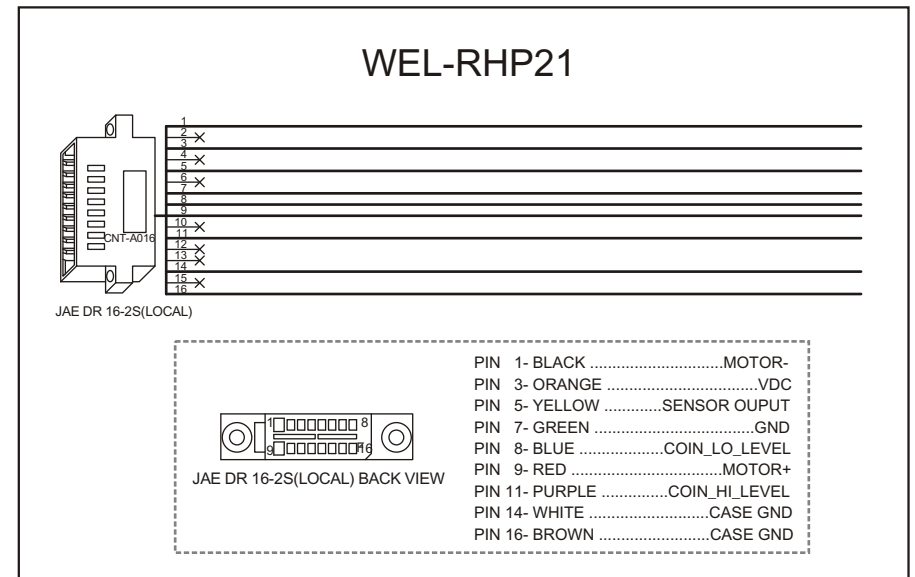
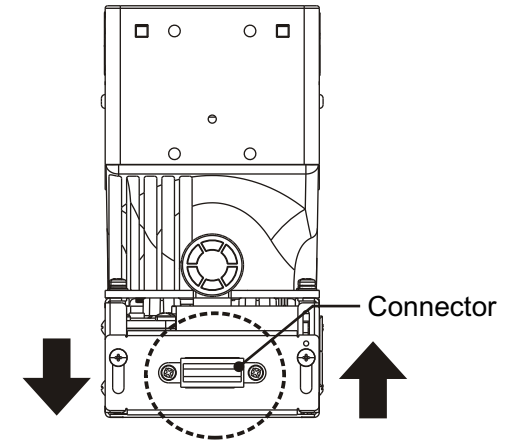
5-1. Adjustment Coin Dimensions

Model Type	Applicable Coin Size			
Type A	Diameter	20mm~25mm	Thickness 1.6mm~2.4mm	
20mm	Diameter			
	20mm~22mm			
	Thickness			
22mm	Diameter			
	22mm~24mm			
	Thickness			
24mm	Diameter			
	24mm~26mm			
	Thickness			
26mm	Diameter			
	26mm~28mm			
	Thickness			
28mm	Diameter			
	28mm~30mm			
	Thickness			
30mm	Diameter			
	30mm			
	Thickness			
Type B	Diameter	26mm~30mm	Thickness 1.5mm~2.0mm	
	26mm	Diameter		
		26mm~28mm		
Thickness				
28mm	Diameter			
	28mm~30mm			
	Thickness			
30mm	Diameter			
	30mm			
	Thickness			

6. Installation

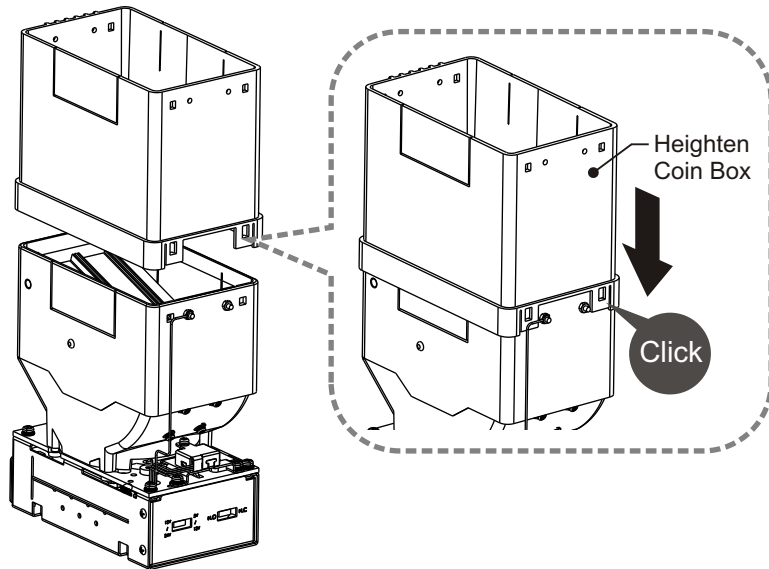
6-1. Connection

Adjust the mounting bracket of the male connector.



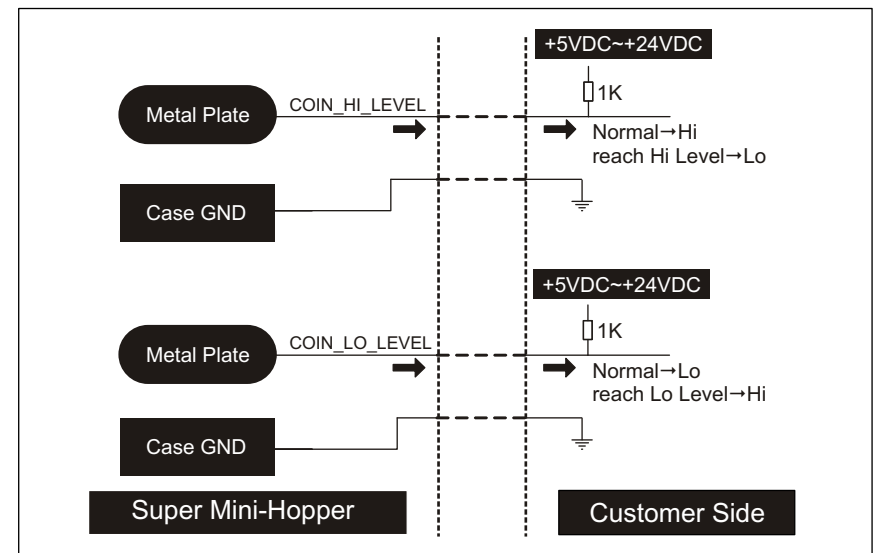
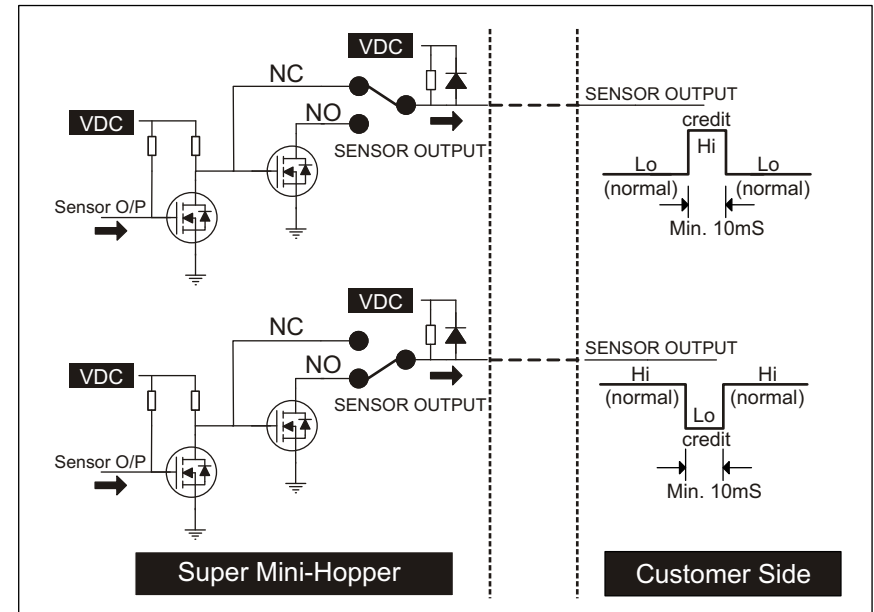
6-2. Heighten Coin Box Installation

Install heighten coin box from top of the coin box, press it down until the “click” sound.

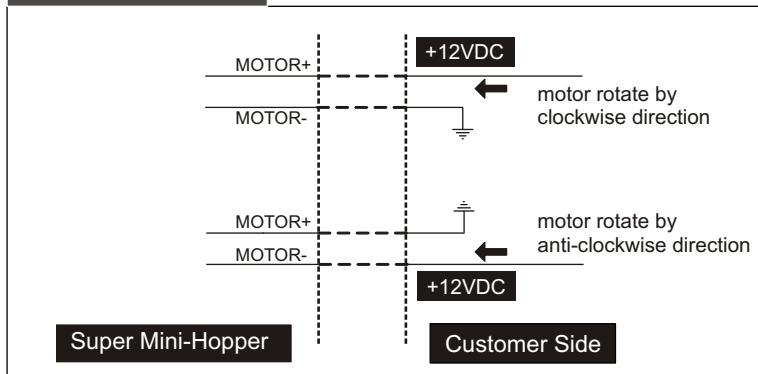


Note: The Heighten Coin Box is an optional part, for purchasing, please contact ICT.

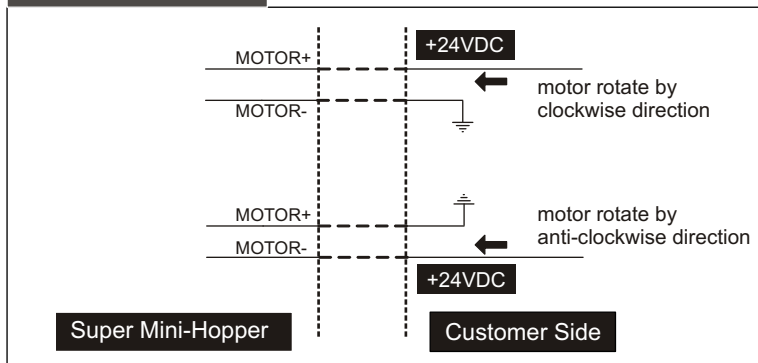
6-3. I/O Circuit



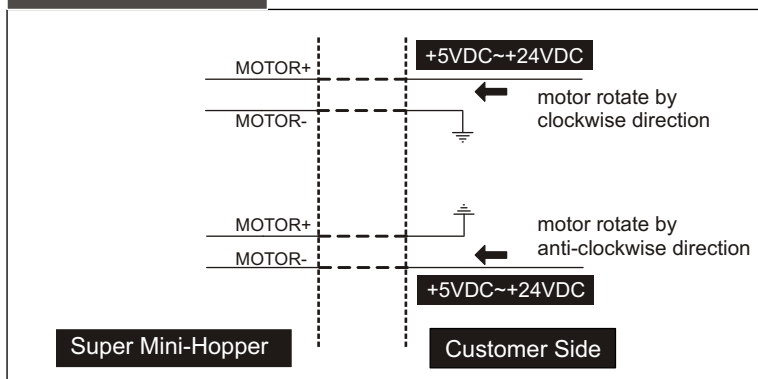
SMH-121XXXX model



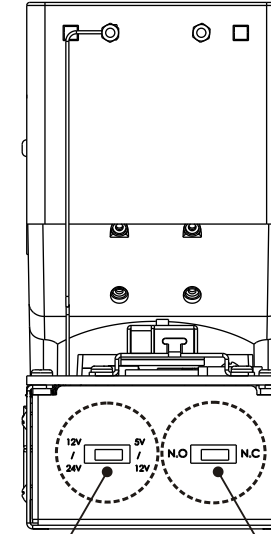
SMH-241XXXX model



SMH-xx2xxxx model



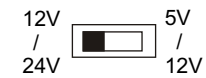
6-4. Credit Output Setting



Credit Voltage Selection

Credit Output Function

❖ Credit Voltage Selection



Credit Voltage Selection	
5V / 12V	5V-12V DC
★ 12V / 24V	12V-24V DC

❖ Credit Output Setup



Credit Output Setup	
N.C	Normal Low
★ N.O	Normal High

(★) Default



Please setup credit voltage according to input voltage, the default value is suggested; for exceptions, please contact ICT.

7. Maintenance

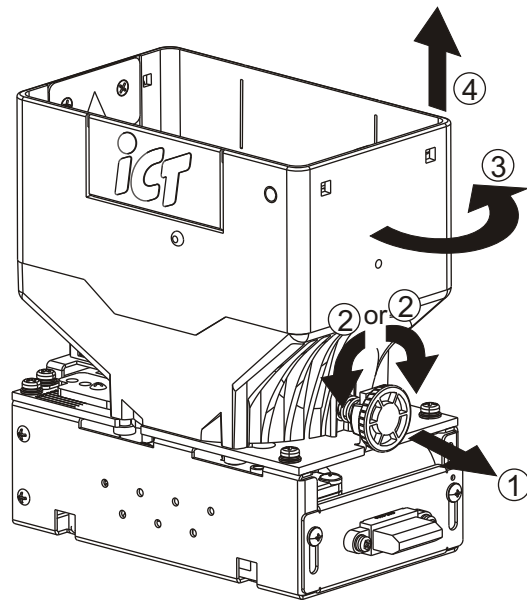
To make sure Super Mini Hopper always works smoothly, please clean the internal parts from every two weeks to every two months.



Please make sure Super Mini Hopper is OFF before cleaning.

To clean the internal parts:

1. Remove the coin box. (As figure below)
2. Use a dry, soft cloth or brush to clean internal parts and coin path.
3. Use a dry, soft cloth or towel to clean the coin box.



Do not use an organic solvent such as gasoline or paint thinner to clean the unit.

ict Taiwan

吉鸿电子股份有限公司

International Currency Technologies Corporation

台北市内湖路一段91巷38弄24号 吉鸿大楼
Ji-Hong Building, No 24, Alley 38, Lane 91, Nei-hu Rd.,
Sec. 1, Taipei, Taiwan, R.O.C.

Tel: 886-2-2797-1238 • Fax: 886-2-2797-1634

sales@ictgroup.com.tw (For Sales)

rma@ictgroup.com.tw (For Customer service)

Website: www.ictgroup.com.tw